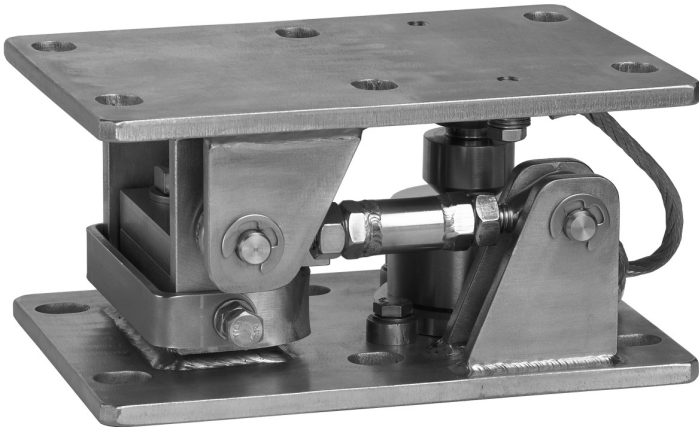


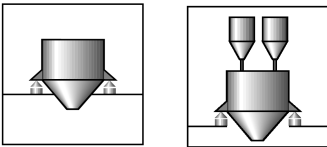
RTN/M2(L)B...

Weighing module for
RTN load cells 1 t...33 t



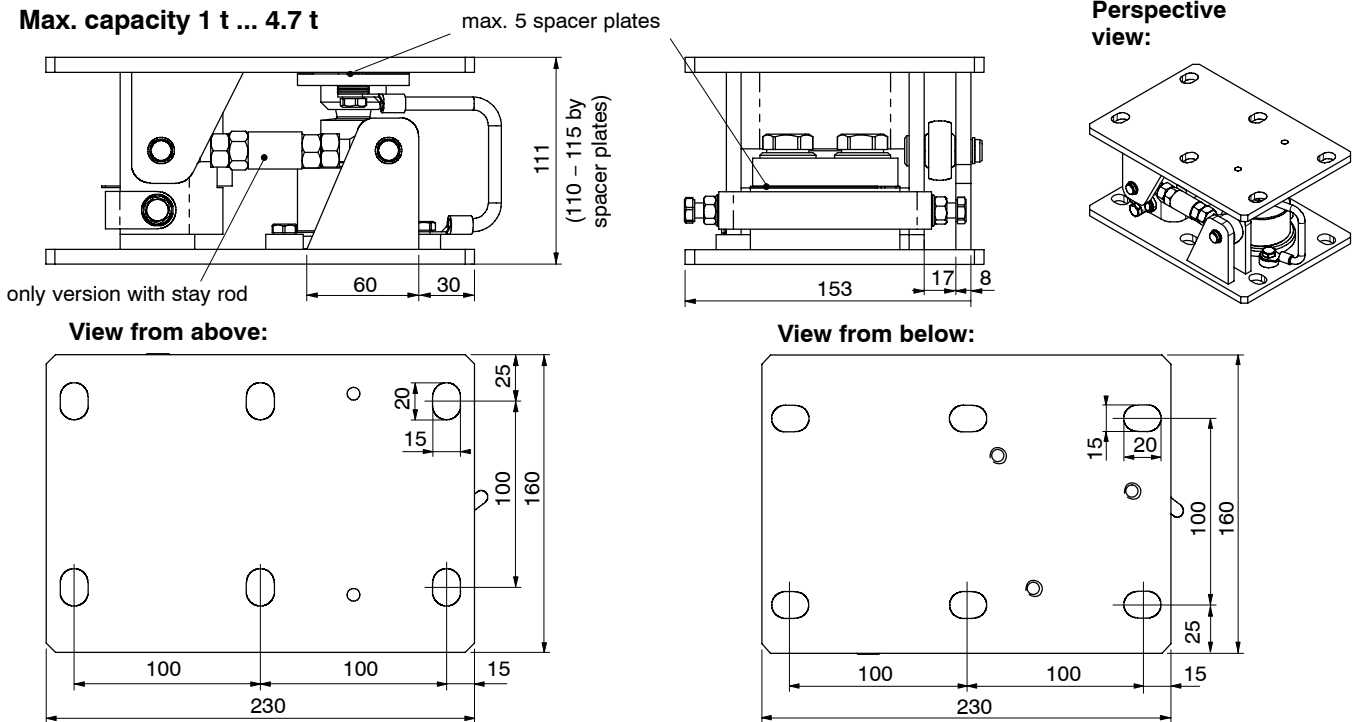
Special features

- Compact design
- Equipped with pendulum bearing
- Integrated anti-liftoff device
- Integrated horizontal stops
- Dummy function
- Material: stainless steel until 22 t
- With stay rod (→ also available without stay rod)
- Certified by Technical Inspection Agency (TÜV)

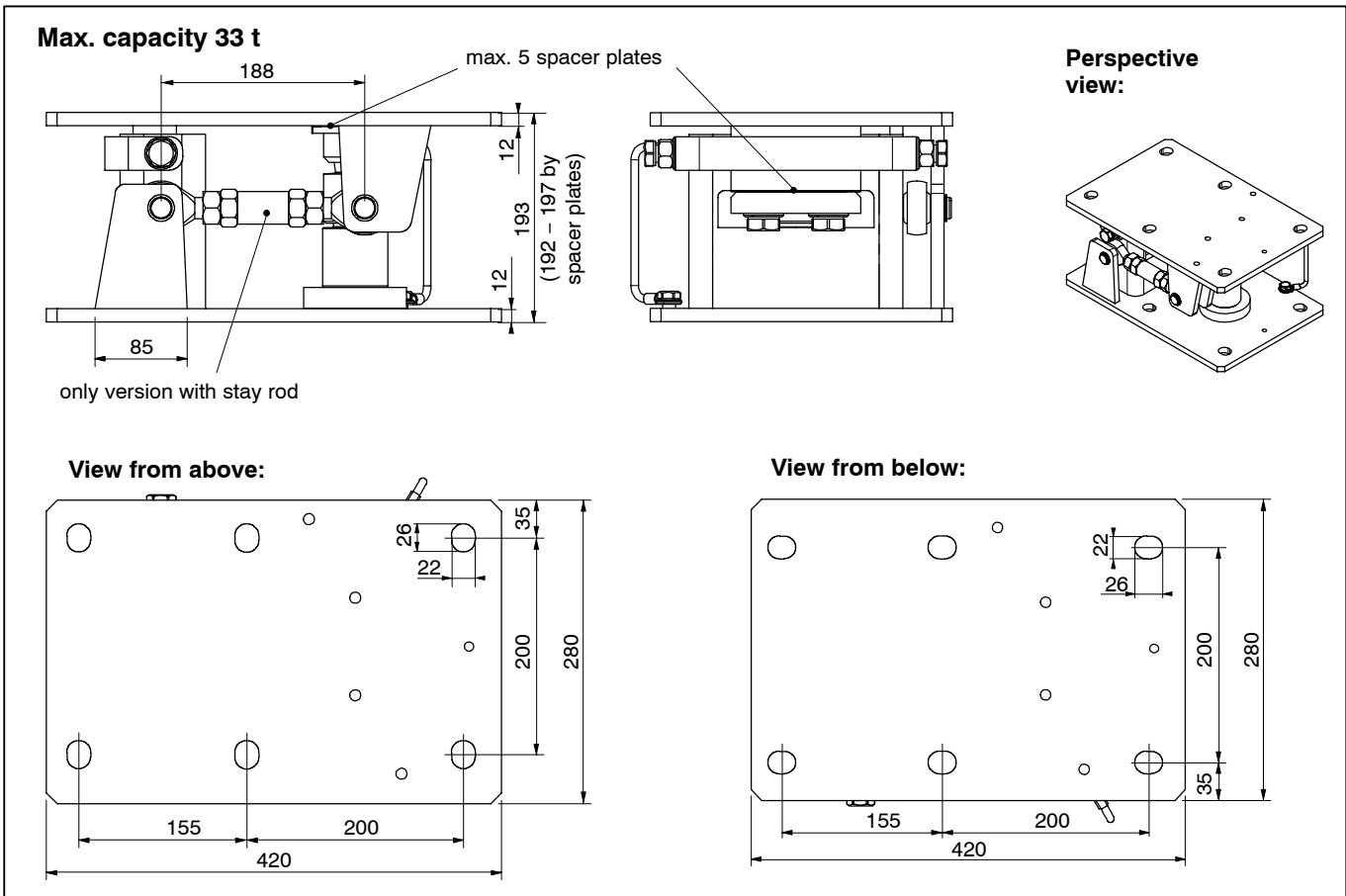
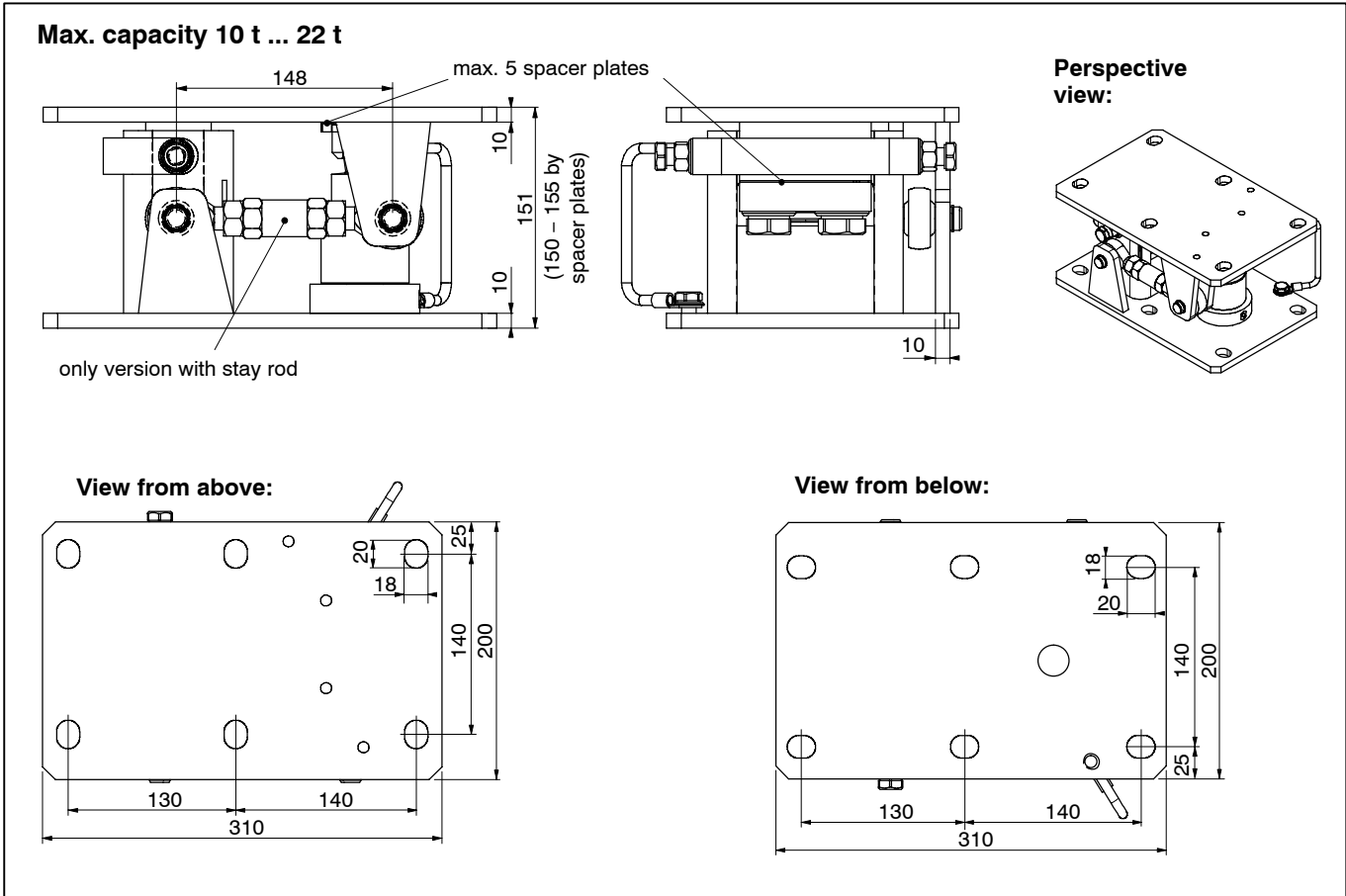


Dimensions (in mm; 1 mm= 0.03937 inches)

Max. capacity 1 t ... 4.7 t



Dimensions (in mm; 1 mm= 0.03937 inches)



Specifications

Type		RTN/M2LBR4.7T			RTN/M2LBR22T			RTN/M2LB33T
		1	2.2	4.7	10	15	22	33
Max. capacity (E_{max}) of the load cell	t	1	2.2	4.7	10	15	22	33
Limit load	% of E_{max}	150						
Max. permissible loading of the horizontal stops transverse to stay rod axis		10						
Restoring force for 1 mm horizontal deflection [% of applied load]		16.5		16.5	13		8.2	
Max. permissible horizontal deflection	mm	1.5		1.3	2		3.5	
Max. permissible lifting force ¹⁾	kN	20			50			50
Max. permissible horizontal force in stay rod axis ¹⁾	kN	10			30			50
Material: Metall parts		stainless steel						galvanized
Weight (with dummy), approx.	kg	9.5			20			41
Minimum lifting height to install the load cell	mm	10						
Height adjustment (spacer plates in scope of delivery)	mm	5						

¹⁾ These specifications are based on DIN 18800

Product types:

Order number	Max. capacity for load cell	Material	Version
1-RTN/M2LBR/4.7T	1 t ... 4.7 t	stainless steel	WITH stay rod
1-RTN/M2BR/4.7T			WITHOUT stay rod
1-RTN/M2LBR/22T	10 t ... 22 t	stainless steel	WITH stay rod
1-RTN/M2BR/22T			WITHOUT stay rod
1-RTN/M2LB/33T	33 t	galvanized	WITH stay rod
1-RTN/M2B/33T			WITHOUT stay rod

Scope of supply:

Weighing module complete mounted with stay rod (without RTN load cell).

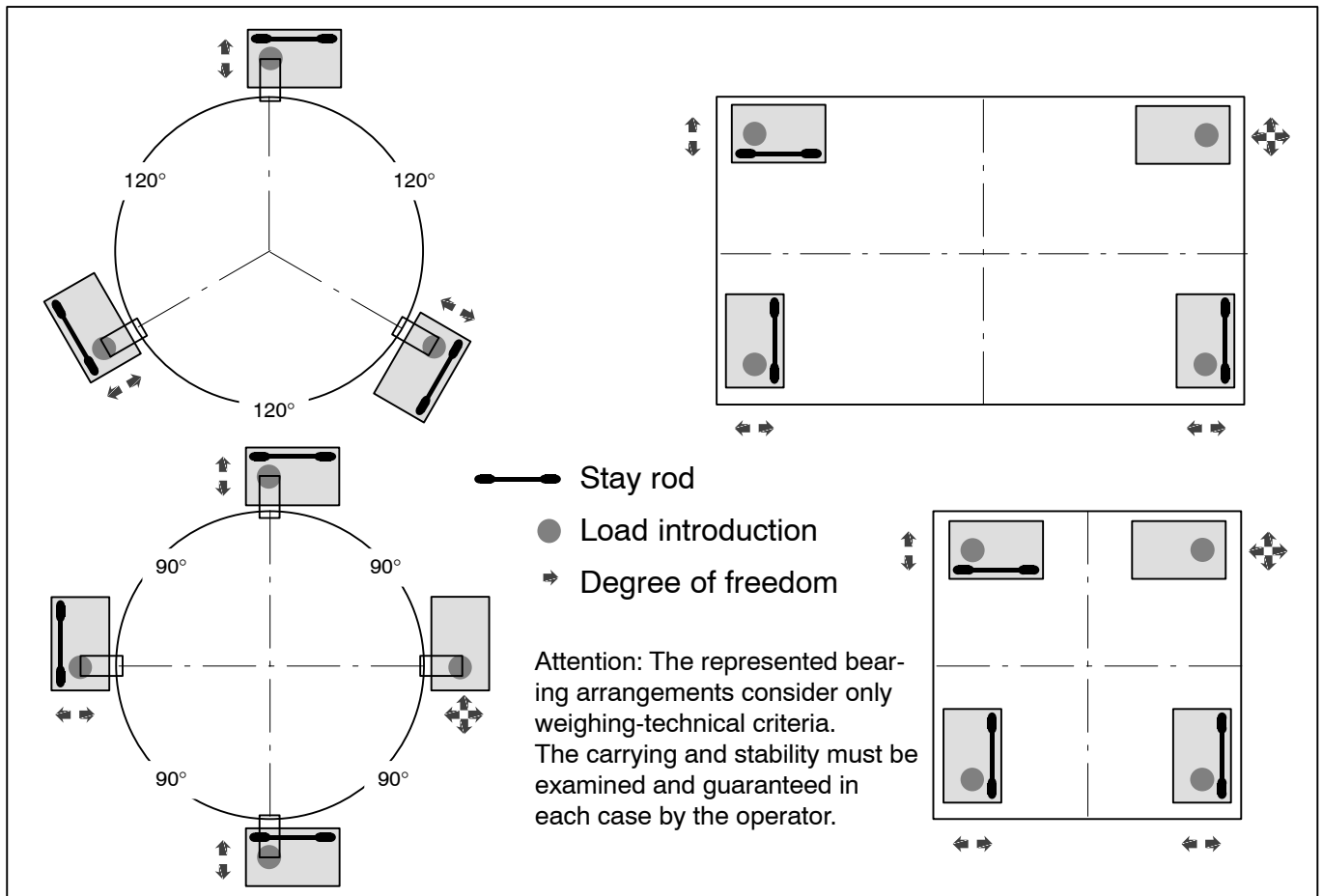
Attention: Instead of the load cell, a dummy is installed, which is able to support the load up to the specified values above. Please take care you have to lift the tank in mounted condition min. 10 mm to change the dummy to the RTN load cell.

Available Options for RTN load cell:

- **Explosion-proof versions according to ATEX:** II 2 G EEx ia IIC T4 resp. T6 (Zone 1) *)
II 3 G EEx nA II T6 (Zone 2)
II 2 D IP68 T80 °C (Zone 21) *)
II 3 D IP68 T80 °C (Zone 22 for non-conductive dust)
*) with EC-Type Examination Certificate
- **Service temperature range up to +110 °C** (not possible in connection with ATEX)

For additional information on the appropriate load cells, please refer to our data sheet RTN.

Mounting examples of weighing modules with stay rods



Further accessory:

Fixed bearings with the same installation height as the weighing module. Please find further information in a separate data sheet.



Modifications reserved.

All details describe our products in general form only. They are not to be understood as express warranty and do not constitute any liability whatsoever.

Hottinger Baldwin Messtechnik GmbH

Im Tiefen See 45, D-64293 Darmstadt, Germany

Tel.: +49 6151 803-0 Fax: +49 6151 803 9100

Email: support@hbm.com Internet: www.hbm.com



measurement with confidence