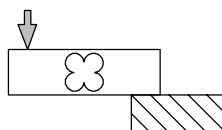
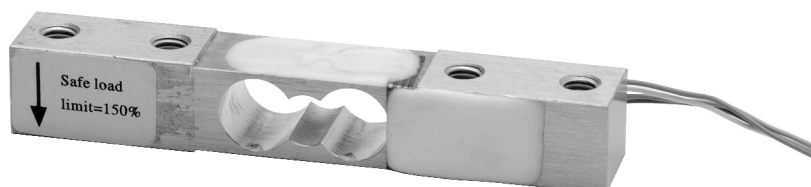


DF2S-5 / DF2S-3

Double bending beam



Max. Capacities:
1kg ... 20kg

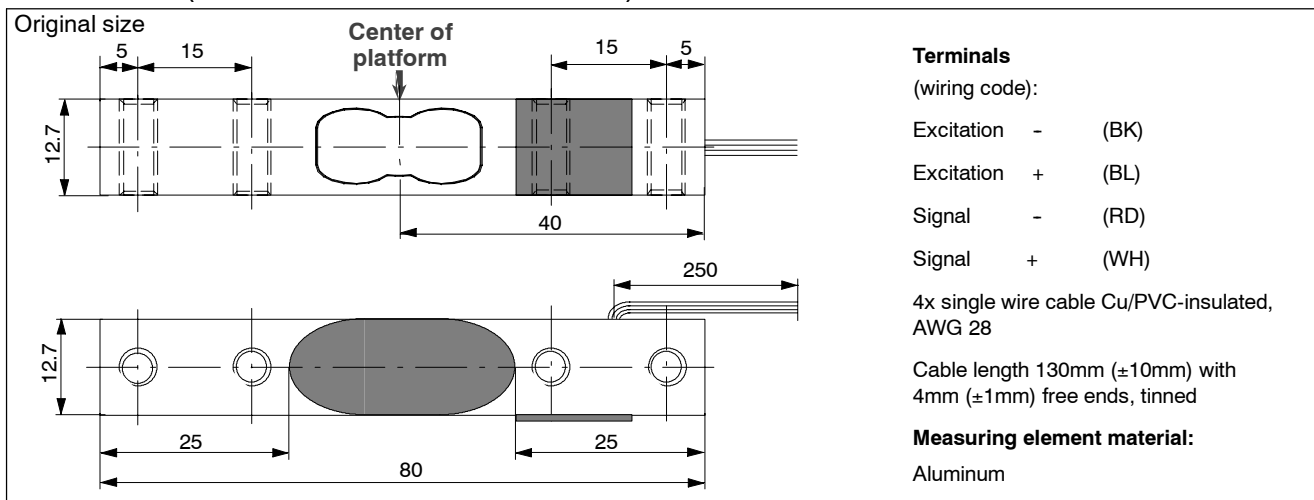


Original size

Special features

- Protection class IP54 to EN 60 529
- Compact design

Dimensions (in mm; 1mm = 0.03937 inches)



Technical data

Type		DF2S-5							DF2S-3						
Accuracy class		0.05%							0.03%						
Max. capacity (E_{max})	kg	1	3	5	10	12	15	20	1	3	5	10	12	15	20
Max. platform size	mm	150x 150							150x150						
Sensitivity (C_n)	mV/V	2 ±10% (1kg:1.8±10%)							2 ±10% (1kg:1.8±10%)						
Zero balance		0±0.5							0±0.5						
Temperature effect on zero balance (TK_0)		±0.0500							±0.0300						
Temperature effect on sensitivity (TK_C)	% of C_n / 10K	±0.100							±0.0500						
Hysteresis error (d_{hy})	% of C_n	±0.0500							±0.0300						
Non-linearity (d_{lin})		±0.0500							±0.0300						
Creep (d_{cr}) over 5 min.		±0.0500							±0.0300						
Off center load error ¹⁾		±0.1000							±0.0500						
Input resistance (R_{LC})		Ω	1000 ±10							1000 ±10					
Output resistance (R_0)	1000±10							1000±10							
Reference excitation voltage (U_{ref})	V	5							5						
Nominal range of excitation voltage (B_U)		5 ...15							5 ...15						
Insulation resistance (R_{is})		GΩ	> 2							> 2					
Nominal temperature range (B_T)	°C	-10... +40							-10 ... +40						
Service temperature range (B_{tu})		-20... +50							-20 ... +50						
Storage temperature range (B_{tl})		-30 ... +70							-30 ... +70						
Grenzlast (E_L)	% of E_{max}	150							150						
Lateral load limit (E_{lq}), static	%	300							300						
Breaking load (E_d)	of E_{max}	150							150						
Deflection at E_{max} (s_{nom}), approx.	mm	< 0.4							< 0.4						
Weight (G), approx.	g	30							30						
Protection class according to EN60529 (IEC529)		IP54							IP54						
Material: Measuring element Coating		Aluminum Silicone rubber							Aluminum Silicone rubber						

¹⁾ At loading with 30% of max. capacity and 75mm excentricity.



Hottinger Baldwin Messtechnik GmbH
 Im Tiefen See 45, D-64293 Darmstadt, Germany
 Tel.: +49 (0)6151 / 803 0; Fax: +49 (0)6151 / 803 9 100
 www.hbm.com; e-mail: support@hbm.com

Modifications reserved.
 All details describe our products in general form. They are not to be understood as express warranty and do not constitute any liability whatsoever.