

# PW16A...

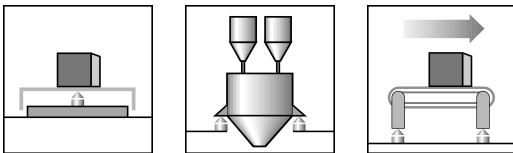
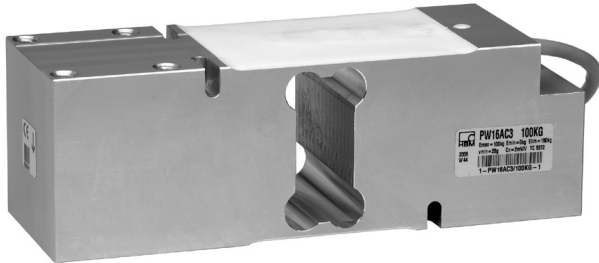
## Single point load cells

### Special features

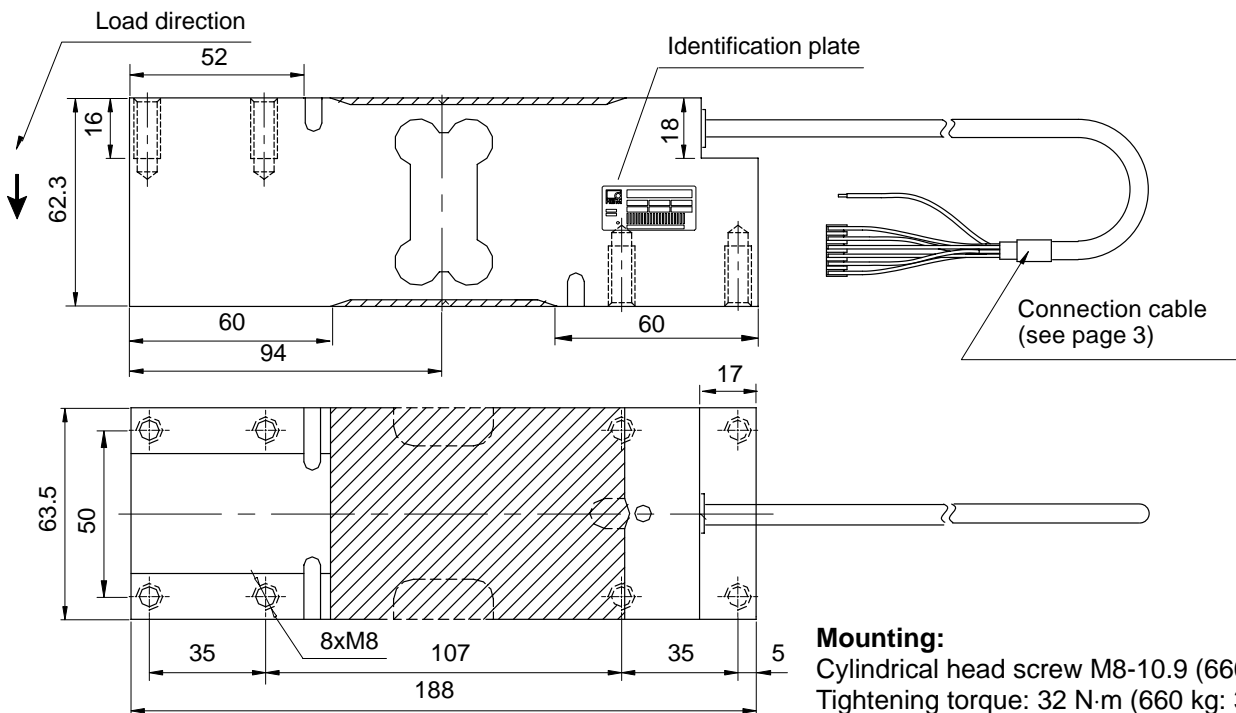
- OIML-R60 approval
- Max. Capacities: 30 kg...660 kg
- Off center load compensated (OIML R76)
- Meets EMC standards (EN 45 501)
- 6-wire circuit

### Optional:

- Reduced minimum LC verification interval ( $v_{min}$ ) for multi range applications
- Explosion proof versions
- different cable lengths
- Aligned output, suitable for connection in parallel



### Dimensions (in mm; 1 mm = 0.03937 inches)



## Specifications

Type	PW16A...										
Accuracy class <sup>1)</sup>	C3, C3MR										
Number of load cell intervals (n <sub>LC</sub> )	3000										
Max. capacity (E <sub>max</sub> )*	kg	30	50	75	100	150	200	250	300	500	660
Minimum LC verification interval (v <sub>min</sub> ) Accuracy class C3	g	5	10	10	20	20	50	50	50	100	100
Temperature effect on zero balance (TK <sub>0</sub> ) Accuracy class C3	% of C <sub>n</sub> / 10 K	± 0.0233	± 0.0280	± 0.0187	± 0.0280	± 0.0187	± 0.0350	± 0.0280	± 0.0233	± 0.0280	± 0.0212
Minimum LC verification interval (v <sub>min</sub> ) Accuracy class C3MR	g	2	5	5	10	10	20	20	20	50	50
Temperature effect on zero balance (TK <sub>0</sub> ) Accuracy class C3MR	% of C <sub>n</sub> / 10 K	± 0.0093	± 0.0140	± 0.0093	± 0.0140	± 0.0093	± 0.0140	± 0.0112	± 0.0093	± 0.0140	± 0.0106
Max. platform size	mm	600 x 600									
Sensitivity (C <sub>n</sub> )	mV/V	2.0 ± 0.2									
Zero balance		0 ± 0.1									
Temperature effect on sensitivity (TK <sub>C</sub> ) <sup>2)</sup> Temperature range +20 ... +40 °C [+68 ... +104 °F] -10 ... +20 °C [+13 ... +68 °F]	% of C <sub>n</sub> / 10 K	± 0.0175 ± 0.0117									
Hysteresis error (d <sub>hy</sub> ) <sup>2)</sup>	% of C <sub>n</sub>	± 0.0166									
Non-linearity (d <sub>lin</sub> ) <sup>2)</sup>		± 0.0166									
Minimum dead load output return (DR)		± 0.0166									
Off center load error <sup>3)</sup>		± 0.0233									
Input resistance (R <sub>LC</sub> )	Ω	300 ... 500									
Output resistance (R <sub>0</sub> )		300 ... 500									
Reference excitation voltage (U <sub>ref</sub> )	V	5									
Nominal range of excitation voltage (B <sub>U</sub> )		0 ... 12									
Max. excitation voltage		15									
Insulation resistance (R <sub>is</sub> ) at 100 V <sub>DC</sub>		> 2									
Nominal temperature range (B <sub>T</sub> )	°C [°F]	-10 ... +40 [+14 ... +104]									
Service temperature range (B <sub>tu</sub> )		-10 ... +50 [+14 ... +122]									
Storage temperature range (B <sub>tl</sub> )		-25 ... +70 [-13 ... +158]									
Safe load limit (E <sub>L</sub> )	% of E <sub>max</sub>	150									
Lateral limit force (E <sub>lq</sub> ), static		300									
Breaking load (E <sub>d</sub> )		300									
Deflection at E <sub>max</sub> (s <sub>nom</sub> ), approx.	mm	< 0.5									
Weight (G), approx.	kg	1.8									
Protection class according to EN 60 529 (IEC 529)		IP67									
Material: Measuring element Coating Cable sheath		Aluminum Silicone rubber PVC									

\* For max. capacities 30kg, 50kg: OIML certificate in preparation

1) In accordance to OIML-R60 with P<sub>LC</sub> = 0.7

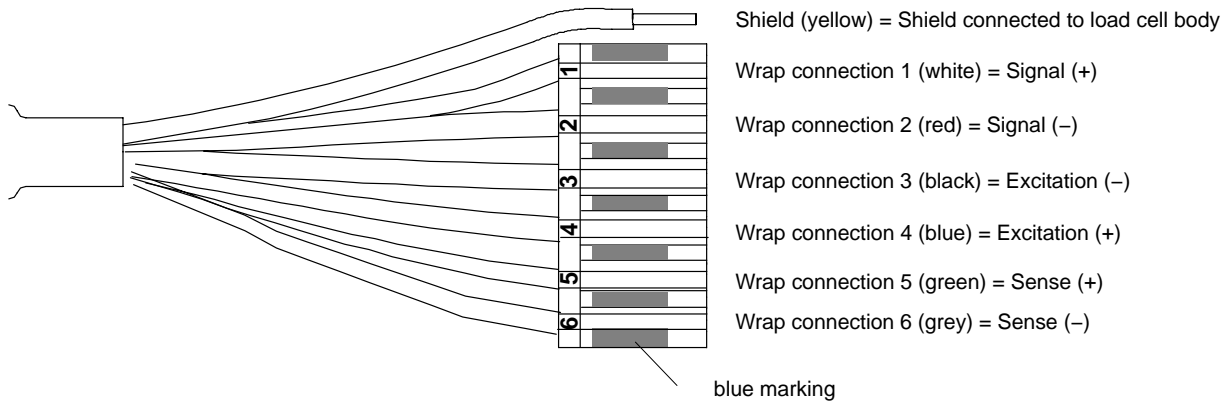
2) The sum of data for Non-linearity, Hysteresis error and TC Span meets the requirements of OIML R60.

3) Eccentric error according to OIML R76 class.

## Wiring code

Connection with 6 wire cable (selectable cable length: 1.5 m; 3 m; 6 m, 12 m)

Detailed description of the Pancon plug (CE100F26-6), 6-pole



## Ordering codes

### PW16A... (Aluminum)

Type	PW16A	
Accuracy	C3 (OIML)	
Note	Cable length 3m (6 wire)	
Capacity	Order no.	
30kg	1-PW16AC3/30KG-1	
50kg	1-PW16AC3/50KG-1	
75kg	1-PW16AC3/75KG-1	
100kg	1-PW16AC3/100KG-1	
150kg	1-PW16AC3/150KG-1	
200kg	1-PW16AC3/200KG-1	
250kg	1-PW16AC3/250KG-1	
300kg	1-PW16AC3/300KG-1	
500kg	1-PW16AC3/500KG-1	
660kg	1-PW16AC3/660KG-1	

### K-PW16A-... (Aluminum), optional versions [ !!! ]

Order no.	
<b>K-PW16A</b>	
<b>Code</b>	Option 1: Mechanical version
<b>N</b>	Standard
<b>Code</b>	Option 2: Accuracy
<b>C3</b>	C3 (OIML)
<b>MR</b>	C3-MR (OIML)
<b>Code</b>	Option 3: Capacity
<b>30</b>	30kg
<b>50</b>	50kg
<b>75</b>	75kg
<b>100</b>	100kg
<b>150</b>	150kg
<b>200</b>	200kg
<b>250</b>	250kg
<b>300</b>	300kg
<b>500</b>	500kg
<b>660</b>	660kg
<b>Code</b>	Option 4: Ex protection
<b>N</b>	non Ex
<b>1+21</b>	ATEX Zone 1 + 21 [ only with Option 6 = N ]
<b>2+22</b>	ATEX Zone 2 + 22 (non-conductive dust) [ only with Option 6 = N ]
<b>Code</b>	Option 5: Cable length
<b>1.5</b>	1.5m
<b>3</b>	3m
<b>6</b>	6m
<b>12</b>	12m
<b>Code</b>	Option 6: Miscellaneous
<b>N</b>	without
<b>A</b>	2mV/V ±0.1% / 410 Ohms ±0.3 Ohms [ only with Option 4 = N ] (aligned output, suitable for connection in parallel)

K-PW16A - **N** - [ ] - [ ] - [ ] - [ ] - [ ] - [ ]

[ !!! ]: Not all codes can be combined with each other. Please take heed of the terms in the square brackets!

Modifications reserved.  
All details describe our products in general form only. They are not to be understood as express warranty and do not constitute any liability whatsoever.

**Hottinger Baldwin Messtechnik GmbH**

Im Tiefen See 45, D-64293 Darmstadt, Germany  
Tel.: +49 6151 803-0 Fax: +49 6151 803 9100  
Email: support@hbm.com Internet: www.hbm.com



measurement with confidence