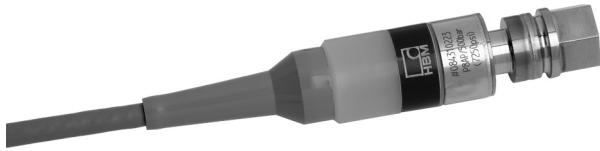




P8WT

Diaphragm load cell



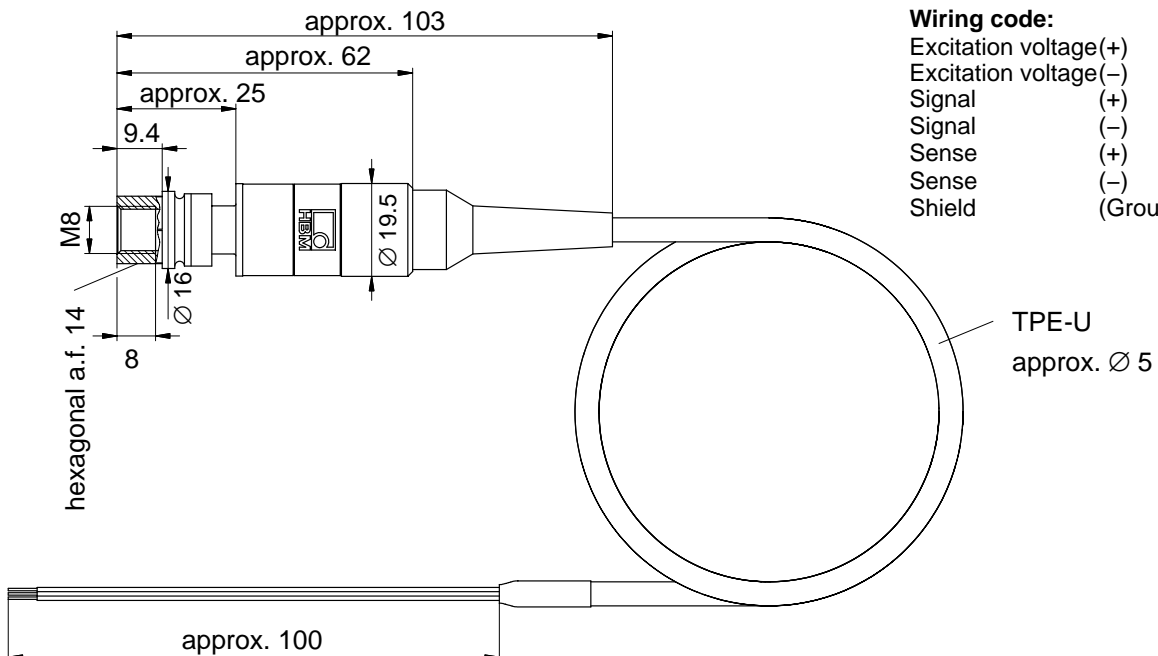
Special features

- Strain gage - absolute pressure transducer for hydraulic pipes
- Small dimensions
- Mounting position as desired
- Corrosion-resistant
- For static and dynamic pressure
- Legal for trade to 300 d, test report according to OIML R60



Dimensions (in mm; 1 mm= 0.03937 inches)

Designation: **P8AP/500BAR** (Connecting thread: M8 internal)



Specifications

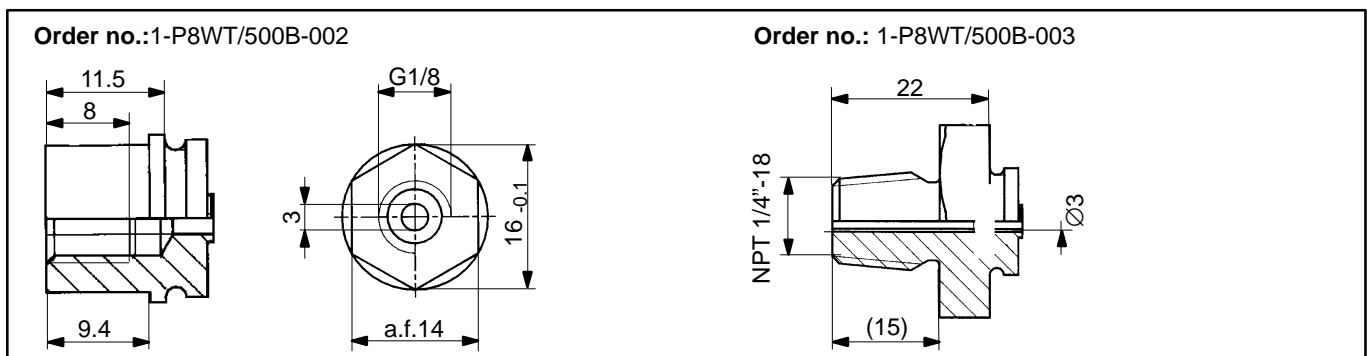
Type		P8WT
Max. capacity (E_{max})	bar	500
Accuracy class Maximal numbers of load cell verif. intervals (n_{LC})	%	D 0.3 300
Minimum load cell verification interval (v_{min})	% of E_{max}	0.142
Sensitivity (C_n)	mV/V	2 ±2%
Temperature effect on sensitivity (TK_C), in the nominal temperature range	% of C_n / 10K	0.13
Temperature effect on zero balance (TK_0), in the nominal temperature range	% of C_n / 10K	±0.2
Hysteresis error (d_{hy})	% of C_n	0.15
Linearity deviation (d_{lin})	% of C_n	0.2
Creep (d_{cr}) in 30 min.	% of C_n	0.25
Input resistance (R_{LC})	Ω	370 (+130/-70)
Output resistance (R_0)	Ω	330 (+90/-30)
Reference excitation voltage (U_{ref})	V	5
Nominal range of excitation voltage (B_U)	V	0.5...12
Insulation resistance (R_{is})	GΩ	> 1
Nominal temperature range (B_T)	°C [°F]	-10...+40 [+14...+104]
Service temperature range (B_{tu})	°C [°F]	-40...+80 [-40...+176]
Storage temperature range (B_{ti})	°C [°F]	-50...+85 [-58...+185]
Safe load limit (E_L)	% of E_{max}	150
Breaking load (E_d)	% of E_{max}	200
Permissible dynamic load (F_{srel})	% of E_{max}	60
Weight (G), approx.	kg	0.38
Degree of protection according to EN60529 (IEC529)		IP67
Material: Measuring body, pressure connection Cable feed through Cable sheath		1.4542, 1.4301 Polyethylene TPE-U

Following standard versions can be supplied from stock at short notice:

Connection thread	M8 internal*	G 1/8 internal**	NPT 1/4 external**
Order number	1-P8WT/500B-001	1-P8WT/500B-002	1-P8WT/500B-003

* Dimensions see first page

** Dimensions see below



Modifications reserved.

All details describe our products in general form only. They are not to be understood as express warranty and do not constitute any liability whatsoever.

Hottinger Baldwin Messtechnik GmbH

Im Tiefen See 45, D-64293 Darmstadt, Germany
Tel.: +49 6151 803-0 Fax: +49 6151 803 9100
Email: support@hbm.com Internet: www.hbm.com



measurement with confidence